

# TV MOVING



arredi fiorelli



All the motorised TV stands of the TV MOVING line came about from the need of rethinking in a fully innovative way how to position audio/video devices, redimensioning and revolutionising the schemes of traditional multimedia visual and audio positions.



Thanks to the TV MOVING mounts, the television is no longer the object which constrains the spaces of home designing. The many possible motorisation solutions optimise functionality, practicality and design of the audio/video positions in favour of any architectonic situation and/or aesthetic requirement.



The vertical up and down columns, the flip and/or swivel movement actuators, the frames and trays with sliding guides, the adjustable arms and mounts make it possible to think of positioning the television and the other audio/video reproduction and broadcasting appliances anywhere in the home, even outdoors.



The high-tech content of the TV MOVING stands allows you to manage all possible movements electrically and in full safety: from the TV "lift" and "lift & swivel" stands which allow the television to move up and down, to slide from one side to the other, to flip and swivel, to the TV "flip" mounts which allow you to open the TV with a flipping book and/or flag movement.



To more elaborate  
"flip & lift & swivel"  
movement systems which  
manage up-and-down,  
vertical and horizontal  
book/flag opening and rotate  
the television on just one  
motorised TV mount.





In some recessed models the opening of the flat panels which allow the TV screen and/or other audio/video appliances to come out of walls, false ceilings, cabinets, furniture, beds and the floor can be controlled electrically, fully and neatly concealing the technical compartment used to hide the TV.



All the TV MOVING stands are equipped with radio or infrared remote controls, smart electronic control units with slow start & stop sensors and communication interface with home automation systems.







# TV MOVING

THERE IS OR ISN'T A TV,  
IT DEPENDS ON YOU





# TV MOVING

HIDDEN IS MORE SHOWY





# TV MOVING

MORE ROOM  
FOR YOUR EMOTIONS,  
LESS FOR THE TV



# TV MOVING

TO VIEW OR NOT TO VIEW.  
IT'S UP TO YOU



# TV MOVING



**MLV - MOTORISED STANDS FOR AUDIO/VIDEO MOVEMENT**



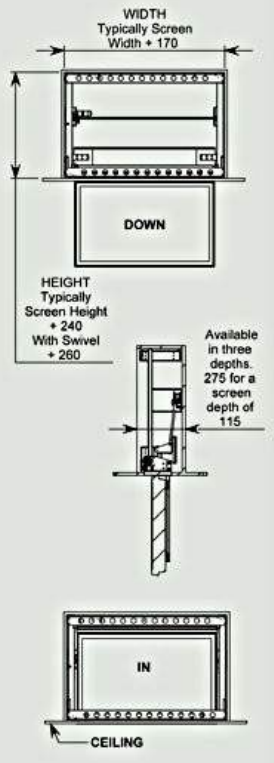
# TV MOVING MLV



TV MOVING MLV IS A LIFT FROM TV ELECTRIC CEILING LCD-PLASMA-LED.

THE STAND NEED TO CEILING OR RECESS CEILING HOUSING CABINET.

PUSHING THE REMOTE CONTROL, THE MECHANISM ALLOWS THE OPENING OF THE FLAP AND THE DESCENT OF TELEVISION. TELEVISION IS PLACED ON A COMPONENT OF THE SAME TYPE OF FINISH CEILING FINISH AND CLOSE TO THE EDGE OF THE STRUCTURE ONCE THE TV AND 'IN POSITION OF VISION.



## WATCH THE VIDEO

MAX DEPTH SCREEN	155 MM
MAX WEIGHT	50/120 KG
FOR TV	26"/75"
POWER	AC 220 VOLT
MOVEMENT	ELETTRICO
CONTROL OPTION	RS232/CONTACT CLOSURE/IR



TV MOVING MLV HAS ELECTRONIC AUTOMATION SYSTEMS THROUGH INTERACTING WITH CONTACTS.

VERSIONS "S" ONCE WENT OUT COMPLETELY FROM THE CABINET AND 'CAN TURN THE TELEVISION TO 180 IS RIGHT TO LEFT, ALLOWING VISION AT ANY POINT IN THE ROOM.

INFRARED REMOTE CONTROL EQUIPMENT TO RAISE, LOWER, ROTATE AND OPENING FLAP.

FLUID MOVEMENT AND SILENT THROUGH SENSORS START & STOP SLOWED DOWN.



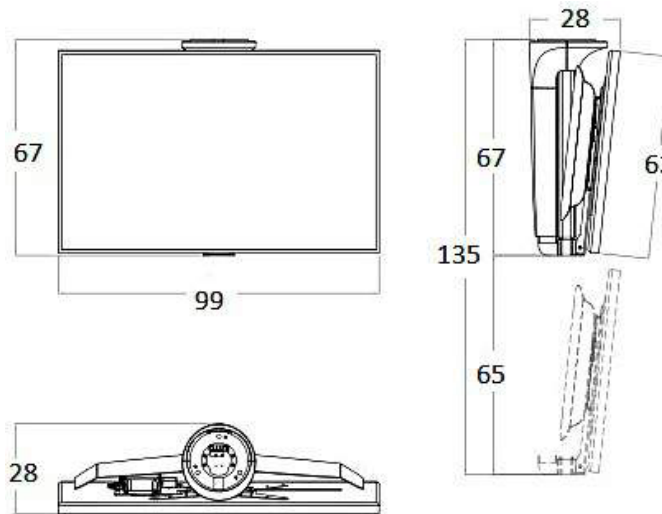
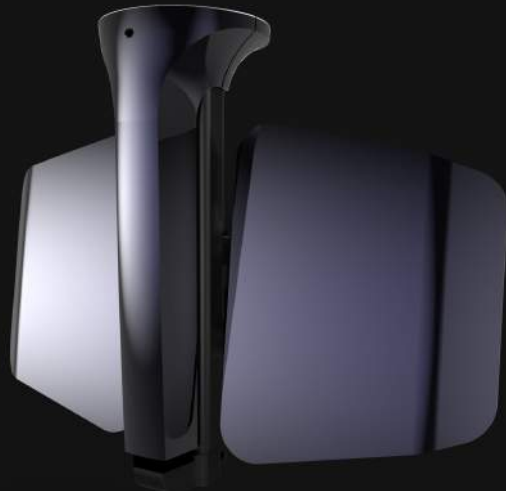
# TV MOVING



**ML - MOTORISED STANDS FOR AUDIO/VIDEO MOVEMENT**



## TV MOVING - ML



TV MOVING ML IS A LIFT FROM TV CEILING LCD-PLASMA-LED.

THE STAND DOES NOT NEED TO CEILING AND 'EQUIPPED WITH REAR HOUSING CABLES TO HIDE.

THE STANDARD COLOURS ARE BLACK AND WHITE BUT 'CAN BE MADE DIFFERENT FINISHES WITH OTHER COLOURS RAL.

TV MOVING ML HAS ELECTRONIC AUTOMATION SYSTEMS THROUGH INTERACTING WITH CLEAN CONTACTS AND INTERFACE RJ45.

### WATCH THE VIDEO

OVERALL DIMENSION TO THE CEILING	28 CM
CLOSED ALL SIZE (FROM CEILING)	67 CM
CLOSED ALL SIZE (FROM CEILING)	135 CM
STROKE	68 CM
ROTATION	360°
MAX WEIGHT TV	35 KG
FOR TV	DA 32"/60"
WEIGHT	22 KG
POWER	AC 220 VOLT
MOVEMENT UP DOWN	MOTORIZED
MOVEMENT ROTATION	MANUAL

TV MOVING ML IS A LIFT FROM TV ELECTRIC CEILING.

REMOTE DUAL CHANNEL EQUIPMENT FOR GETTING ON AND OFF.

PUSHING THE REMOTE CONTROL, THE TELEVISION SALE OR FALLS WITH VERTICAL MOVEMENT.

YOU CAN TURN THE TELEVISION, ALLOWING VISION IN ANY POINT OF ROOM.

FLUID MOVEMENT AND SILENT THROUGH SENSORS START & STOP SLOWED DOWN.





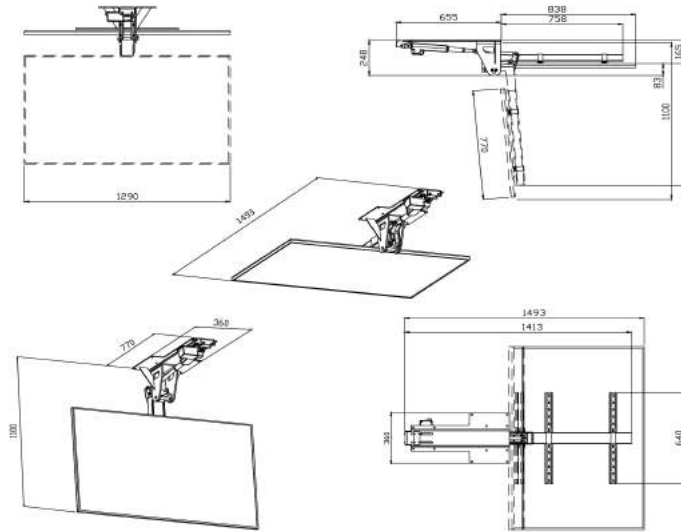
# TV MOVING



**MF - MOTORISED STANDS FOR AUDIO/VIDEO MOVEMENT**



## TV MOVING - MF



TV MOVING MF IS A LIFT FROM TV CEILING LCD-PLASMA-LED WHICH CLOSES WITH SHIELD FACE DOWN.

THE STAND NEED TO CEILING OR RECESS CEILING BRACKETS AND HOUSING UNIT.

THE STANDARD COLOURS ARE BLACK AND WHITE MATT.

TV MOVING MF HAS ELECTRONIC AUTOMATION SYSTEMS THROUGH INTERACTING WITH CLEAN CONTACTS AND INTERFACE RJ45.

### WATCH THE VIDEO

OVERALL SIZE LONG SIDE	77 CM
OVERALL SIZE SHORT SIDE	36 CM
OPEN ALL SIZE (FROM CEILING)	110 CM
MAX WEIGHT TV	70 KG
FOR TV	32"/60"
WEIGHT	33 KG
POWER	AC 220 VOLT
MOVEMENT	MOTORIZED

TV MOVING MF IS A LIFT FROM TV ELECTRIC CEILING.

REMOTE DUAL CHANNEL EQUIPMENT FOR OPENING AND CLOSING THE BOOK.

PUSHING THE REMOTE CONTROL, THE TELEVISION MOVING SALE OR FALLS WITH BOOK 0 ° TO 85 ° INTERVALS AND ALL INCLUDED.

FLUID MOVEMENT AND SILENT THROUGH SENSORS START & STOP SLOWED DOWN.

MINIMUM CLEARANCE REQUIRED IN THE CAVITY CEILING OR RECESS CEILING 26cm.



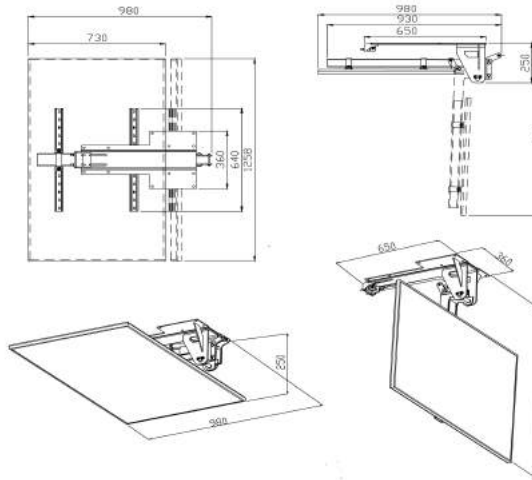
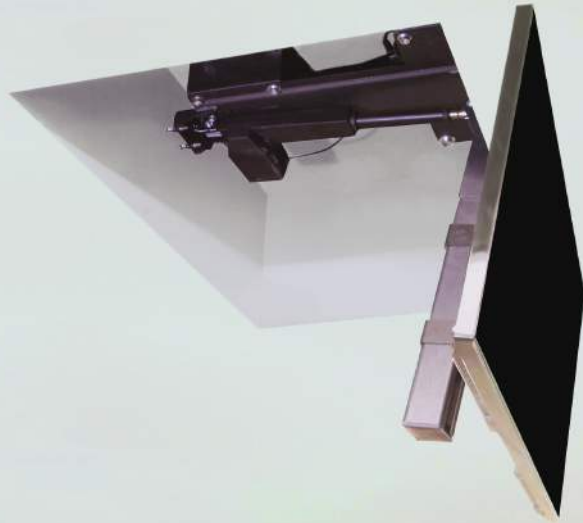
# TV MOVING



**MF COMPACT - MOTORISED STANDS FOR AUDIO/VIDEO MOVEMENT**



## TV MOVING - MF COMPACT



TV MOVING MF IS A LIFT FROM TV CEILING LCD-PLASMA-LED WHICH CLOSES WITH SHIELD FACE DOWN.

THE STAND CAN 'BE INSTALLED EVEN IN THE ABSENCE OF CEILING: CLOSING THE SCREEN COVER FULLY SUPPORT.

THE STANDARD COLOURS ARE BLACK AND WHITE MATT.

TV MOVING MF HAS ELECTRONIC AUTOMATION SYSTEMS THROUGH INTERACTING WITH CLEAN CONTACTS AND INTERFACE RJ45.

### WATCH THE VIDEO

OVERALL SIZE LONG SIDE	77 CM
OVERALL SIZE SHORT SIDE	36 CM
OPEN ALL SIZE (FROM CEILING)	110 CM
MAX WEIGHT TV	70 KG
FOR TV	32"/60"
WEIGHT	33 KG
POWER	AC 220 VOLT
MOVEMENT	MOTORIZED

TV MOVING MF IS A LIFT FROM TV ELECTRIC CEILING.

REMOTE DUAL CHANNEL EQUIPMENT FOR OPENING AND CLOSING THE BOOK.

PUSHING THE REMOTE CONTROL, THE TELEVISION MOVING SALE OR FALLS WITH BOOK 0 ° TO 85 ° INTERVALS AND ALL INCLUDED.

FLUID MOVEMENT AND SILENT THROUGH SENSORS START & STOP SLOWED DOWN.

MINIMUM CLEARANCE REQUIRED IN THE CAVITY CEILING OR RECESS CEILING 26cm.



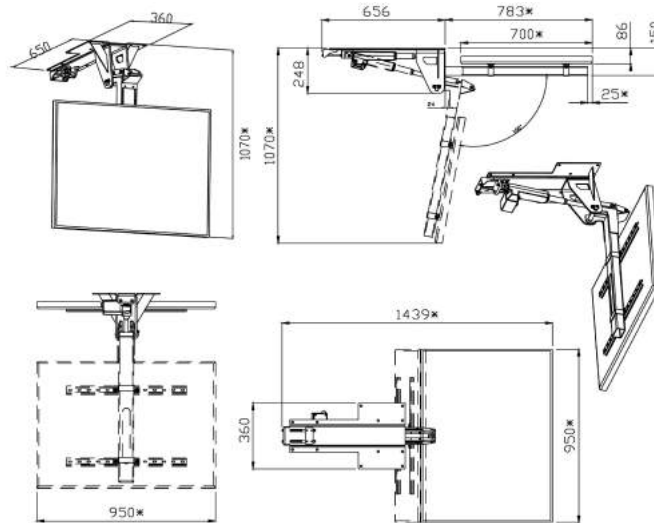
# TV MOVING



**MF REVERSE - MOTORISED STANDS FOR AUDIO/VIDEO MOVEMENT**



## TV MOVING - MF REVERSE



TV MOVING MF REVERSE IS A LIFT FROM TV CEILING FOR SCREENS LCD-PLASMA-LED WHICH CLOSES WITH SHIELD FACE UP.

THE STAND NEED TO CEILING OR RECESS CEILING BRACKETS AND HOUSING UNIT.

THE STANDARD COLOURS ARE BLACK AND WHITE MATT BUT 'CAN BE MADE DIFFERENT FINISHES WITH OTHER COLOURS RAL.

TV MOVING MF REVERSE HAS ELECTRONIC AUTOMATION SYSTEMS THROUGH INTERACTING WITH CLEAN CONTACTS AND INTERFACE RJ45.

### WATCH THE VIDEO

OVERALL SIZE LONG SIDE	77 CM
OVERALL SIZE SHORT SIDE	36 CM
OPEN ALL SIZE (FROM CEILING)	110 CM
MAX WEIGHT TV	70 KG
FOR TV	32"/60"
WEIGHT	33 KG
POWER	AC 220 VOLT
MOVEMENT	MOTORIZED

TV MOVING MF REVERSE IS A LIFT THAT ALLOWS THE TV SCREEN COMPLETE DISAPPEARANCE: IS PROVIDED ADDITIONAL BRACKETS FOR MOUNTING REAR PANEL MDF, POLYCARBONATE, PLEXIGLASS OR DRYWALL.

REMOTE DUAL CHANNEL EQUIPMENT FOR OPENING AND CLOSING THE BOOK.

PUSHING THE REMOTE CONTROL, THE TELEVISION MOVING SALE OR FALLS WITH BOOK 0 ° TO 100 ° E ALL RANGES INCLUDED.

FLUID MOVEMENT AND SILENT THROUGH SENSORS START & STOP SLOWED DOWN.

MINIMUM STORAGE SPACE CEILING OR RECESS CEILING 26cm



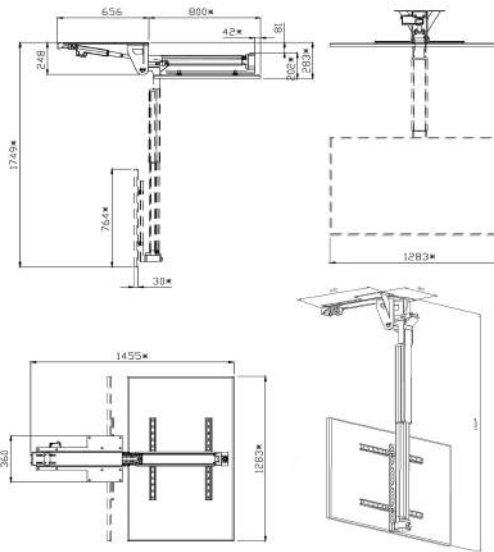
# TV MOVING



**MFL - MOTORISED STANDS FOR AUDIO/VIDEO MOVEMENT**



## TV MOVING - MFL



### WATCH THE VIDEO

OVERALL SIZE LONG SIDE	77 CM
OVERALL SIZE SHORT SIDE	36 CM
OPEN ALL SIZE (FROM CEILING)	110 CM
STROKE (UP-DOWN)	68 CM
ROTATION	360°
MAX WEIGHT TV	70 KG
FOR TV	32"/60"
WEIGHT	33 KG
POWER	AC 220 VOLT
MOVEMENT UP-DOWN	MOTORIZED
MOVEMENT ROTATION	MANUAL

TV MOVING MFL IS A LIFT FROM TV CEILING FOR SCREENS LCD-PLASMA-LED WHICH CLOSES WITH SHIELD FACE DOWN.

THE STAND NEED NEED TO CEILING OR RECESS CEILING BRACKETS AND HOUSING UNIT AND 'EQUIPPED WITH REAR COVER FOR HIDE THE CABLES.

THE STANDARD COLOURS ARE BLACK AND WHITE MATT BUT 'CAN BE MADE DIFFERENT FINISHES WITH OTHER COLOURS RAL. TV MOVING MFL HAS ELECTRONIC AUTOMATION SYSTEMS THROUGH INTERACTING WITH CLEAN CONTACTS AND INTERFACE RJ45.



A FOUR-CHANNEL REMOTE CONTROL EQUIPMENT FOR OPEN / CLOSE A BOOK AND UP / DOWN

PUSHING THE REMOTE CONTROL, THE TELEVISION MOVING SALE OR FALLS WITH BOOK 0 ° TO 90 °. THEN YOU CAN 'TO GO DOWN THE SCREEN FOR MORE 70cm.

YOU CAN TURN THE TELEVISION, ALLOWING VISION IN ANY POINT OF ROOM.

FLUID MOVEMENT AND SILENT THROUGH SENSORS START & STOP SLOWED DOWN.

MINIMUM STORAGE SPACE CEILING OR RECESS CEILING 26cm





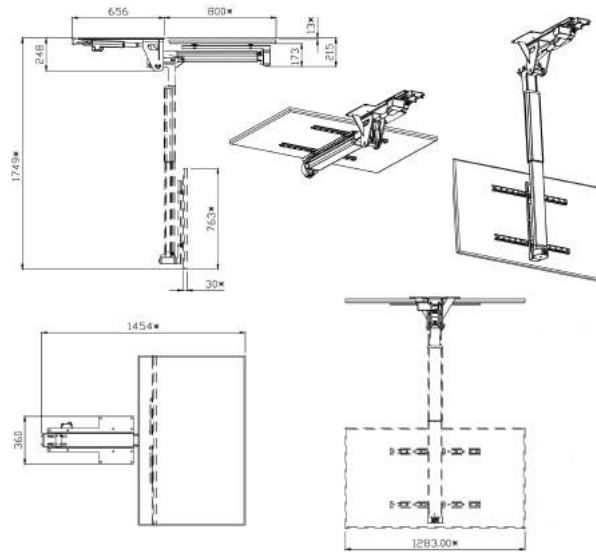
# TV MOVING



**MFL REVERSE - MOTORISED STANDS FOR AUDIO/VIDEO MOVEMENT**



# TV MOVING - MFL REVERSE



## WATCH THE VIDEO

OVERALL SIZE LONG SIDE	77 CM
OVERALL SIZE SHORT SIDE	36 CM
OPEN ALL SIZE (FROM CEILING)	110 CM
STROKE (UP-DOWN)	68 CM
ROTATION	360°
MAX WEIGHT TV	70 KG
FOR TV	32"/60"
WEIGHT	33 KG
POWER	AC 220 VOLT
MOVEMENT UP-DOWN	MOTORIZED
MOVEMENT ROTATION	MANUAL



TV MOVING MFL REVERSE IS A LIFT FROM TV CEILING FOR SCREENS LCD-PLASMA-LED WHICH CLOSES WITH SHIELD FACE DOWN.

THE STAND NEED NEED TO CEILING OR RECESS CEILING BRACKETS AND HOUSING UNIT. TV MOVING MFL REVERSE IS A LIFT THAT ALLOWS THE TV SCREEN COMPLETE DISAPPEARANCE: IS PROVIDED ADDITIONAL BRACKETS FOR MOUNTING REAR PANEL MDF, POLYCARBONATE, PLEXIGLASS OR DRYWALL.

THE STANDARD COLOURS ARE BLACK AND WHITE MATT BUT 'CAN BE MADE DIFFERENT FINISHES WITH OTHER COLOURS RAL. TV MOVING MFL HAS ELECTRONIC AUTOMATION SYSTEMS THROUGH INTERACTING WITH CLEAN CONTACTS AND INTERFACE RJ45.

A FOUR-CHANNEL REMOTE CONTROL EQUIPMENT FOR OPEN / CLOSE A BOOK AND UP / DOWN

PUSHING THE REMOTE CONTROL, THE TELEVISION MOVING SALE OR FALLS WITH BOOK 0 ° TO 90 °. THEN YOU CAN 'TO GO DOWN THE SCREEN FOR MORE 70cm.

YOU CAN TURN THE TELEVISION, ALLOWING VISION IN ANY POINT OF ROOM.

FLUID MOVEMENT AND SILENT THROUGH SENSORS START & STOP SLOWED DOWN.

MINIMUM STORAGE SPACE CEILING OR RECESS CEILING 26cm



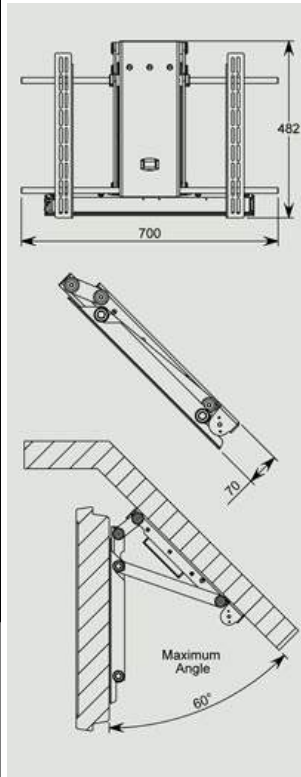
# TV MOVING



**MLIN** - MOTORISED STANDS FOR AUDIO/VIDEO MOVEMENT



# TV MOVING - MLIN



TV MOVING MLIN IS A LIFT FROM TV ELECTRIC CEILING LCD-PLASMA-LED.

THE STAND DOES NOT NEED SPECIFIC NICHES OF OR RECESSED WALL.

PUSHING THE REMOTE CONTROL, THE MECHANISM ALLOWS TO A TV CEILING MOUNTED ON INCLINED TO TURN IN A VERTICAL POSITION UP TO A MAXIMUM OF 60°.

## WATCH THE VIDEO

DISTANCE FROM WALL	70 MM
STROKE	60°
MAX WEIGHT	50 KG
FOR TV	40"/60"
POWER	AC 220 VOLT
MOVEMENT	MOTORIZED
CONTROL OPTIONS	RS232/CONTACT CLOSURE/IR

TV MOVING MLIN HAS ELECTRONIC AUTOMATION SYSTEMS THROUGH INTERACTING WITH CONTACTS.

INFRARED REMOTE CONTROL EQUIPMENT FOR ROTATION AND RETURN.

IDEAL PLACE FOR SCREENS IN MANSARDS AND SLOPING ROOFS.

FLUID MOVEMENT AND SILENT THROUGH SENSORS START & STOP SLOWED DOWN.



# TV MOVING



**MS - MOTORISED STANDS FOR AUDIO/VIDEO MOVEMENT**



## TV MOVING - MS



TV MOVING MS IS A LIFT FROM TV  
CEILING LCD-PLASMA-LED.

THE STAND DOES NOT NEED TO  
CEILING.

FINISHING AND 'STAINLESS STEEL.

PUSHING THE REMOTE CONTROL, THE MECHANISM  
PERMIT TO A TV INSTALLED IN SUSPENSION FROM  
THE CEILING OF A TURN TO 180 °  
IN BOTH DIRECTIONS (LEFT AND RIGHT)

YOU CAN MANUALLY MANAGE THE HEIGHT AND  
ANGLE ON THE TV COLUMN.

WATCH THE VIDEO

ROTATION	2 WAY = 180°
MAX WEIGHT	50 KG
POLE LENGHT STANDARD	1MT
FOR TV	40"/65"
POWER	AC 220 VOLT
MOVEMENT	MOTORIZED
CONTROL OPTIONS	RS32/CONTACT CLOSURE/IR

TV MOVING MS IS A LIFT FROM TV  
ELECTRIC CEILING.

INFRARED REMOTE CONTROL EQUIPMENT  
FOR ROTATION AND RETURN.

TV MOVING MS HAS ELECTRONIC AUTOMATION  
SYSTEMS THROUGH INTERACTING WITH CONTACTS.

FLUID MOVEMENT AND SILENT THROUGH  
SENSORS START & STOP SLOWED DOWN.



# TV MOVING



**MFC - MOTORISED STANDS FOR AUDIO/VIDEO MOVEMENT**



## TV MOVING - MFC



TV MOVING MFC IS A LIFT FROM TV ELECTRIC CEILING LCD-PLASMA-LED.

THE STAND NEED TO CEILING OR RECESS CEILING HOUSING CABINET.

PUSHING THE REMOTE CONTROL, THE MECHANISM ALLOWS TO A TV INSTALLED INSIDE A FRAME WITH CABINET (RECESSED CEILING CEILING OR) OF OPEN FROM 0 TO 100 °. CLOSING THE SYSTEM, INCLUDING THE REAR PANEL FRAME HIDING IN THE TOTALLY TV.

### WATCH THE VIDEO

OVERALL DEPTH CEILING	213 MM
MAX EIGHT SCREEN	620/920 MM
MAX WIDTH SCREEN	910/1510 MM
MAX DEPTH SCREEN	100/140 MM
MAX WEIGHT	50/100 KG
FOR TV	32"/90"
POWER	AC 220 VOLT
MOVEMENT	MOTORIZED
CONTROL OPTIONS	RS232/CONTACT CLOSURE/IR

MFC TV MOVING HAS ELECTRONIC AUTOMATION SYSTEMS THROUGH INTERACTING WITH CONTACTS.

INFRARED REMOTE CONTROL EQUIPMENT FOR OPENING AND RETURN.

FLUID MOVEMENT AND SILENT THROUGH SENSORS START & STOP SLOWED DOWN.





# TV MOVING



**MFCH - MOTORISED STANDS FOR AUDIO/VIDEO MOVEMENT**



## TV MOVING - MFCH



TV MOVING MFCH IS A LIFT FROM TV ELECTRIC CEILING LCD-PLASMA-LED.

THE STAND NEED TO CEILING OR RECESS CEILING HOUSING CABINET.

PUSHING THE REMOTE CONTROL, THE MECHANISM ALLOWS TO A TV INSTALLED INSIDE A FRAME WITH CABINET (RECESSED CEILING CEILING OR) OF OPEN AT 90 ° AND DOWN IN VERTICAL. CLOSING THE SYSTEM, INCLUDING THE REAR PANEL FRAME HIDING IN THE TOTALLY TV.

### WATCH THE VIDEO

OVERALL DEPTH CEILING	205 MM
MAX EIGHT SCREEN	720/920 MM
MAX WIDTH SCREEN	1110/1510 MM
MAX DEPTH SCREEN	75/100 MM
MAX WEIGHT	50KG
FOR TV	42"/60"
POWER	AC 220 VOLT
MOVEMENT	MOTORIZED
CONTROL OPTIONS	RS232/CONTACT CLOSURE/IR

TV MOVING MFCH HAS ELECTRONIC AUTOMATION SYSTEMS THROUGH INTERACTING WITH CONTACTS.

INFRARED REMOTE CONTROL EQUIPMENT FOR OPENING AND RETURN.

FLUID MOVEMENT AND SILENT THROUGH SENSORS START & STOP SLOWED DOWN.



# TV MOVING



**MFCS - MOTORISED STANDS FOR AUDIO/VIDEO MOVEMENT**



## TV MOVING - MFCS



TV MOVING MFCS IS A LIFT FROM TV ELECTRIC CEILING LCD-PLASMA-LED.

THE STAND NEED TO CEILING OR RECESS CEILING HOUSING CABINET.

PUSHING THE REMOTE CONTROL, THE MECHANISM ALLOWS TO A TV INSTALLED INSIDE A FRAME WITH CABINET (RECESSED CEILING CEILING OR) TO OPEN UP TO 90 ° and 180 ° TURN IN TWO DIRECTIONS. CLOSING THE SYSTEM, INCLUDING THE REAR PANEL FRAME HIDING IN THE TOTALLY TV.

### WATCH THE VIDEO

OVERALL DEPTH CEILING	213 MM
MAX EIGHT SCREEN	580/880 MM
MAX WIDTH SCREEN	910/1510 MM
MAX DEPTH SCREEN	100/140 MM
MAX WEIGHT	50 KG
FOR TV	42"/60"
POWER	AC 220 VOLT
MOVEMENT	MOTORIZED
CONTROL OPTIONS	RS232/CONTACT CLOSURE/IR

TV MOVING MFCS HAS ELECTRONIC AUTOMATION SYSTEMS THROUGH INTERACTING WITH CONTACTS.

INFRARED REMOTE CONTROL EQUIPMENT FOR OPENING AND RETURN.

FLUID MOVEMENT AND SILENT THROUGH SENSORS START & STOP SLOWED DOWN.



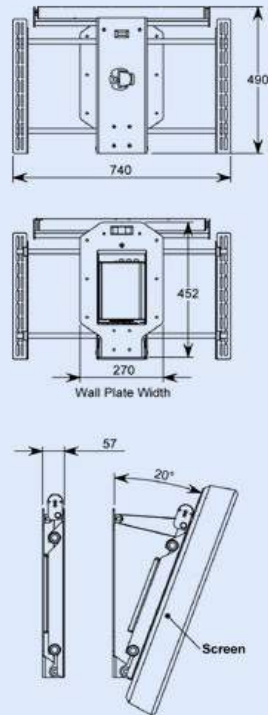
# TV MOVING



**MLWI - MOTORISED STANDS FOR AUDIO/VIDEO MOVEMENT**



## TV MOVING - MLWI



TV MOVING MLWI IS A LIFT FROM TV ELECTRIC WALL LCD-PLASMA-LED.

THE STAND DOES NOT NEED SPECIFIC NICHES OF OR RECESSED WALL.

PUSHING THE REMOTE CONTROL, THE MECHANISM ALLOWS TO A TV INSTALLED FLUSH WALL INCLINED TO BE UP TO 20 °.

### WATCH THE VIDEO

DISTANCE FROM WALL	57 MM
STROKE	20°
MAX WEIGHT	50 KG
FOR TV	DA 32" A 80"
POWER	AC 220 VOLT
MOVEMENT	ELETTRICO
CONTROL OPTIONS	RS32/CONTACT CLOSURE/IR

TV MOVING MLWI HAS ELECTRONIC AUTOMATION SYSTEMS THROUGH INTERACTING WITH CONTACTS.

INFRARED REMOTE CONTROL EQUIPMENT FOR TILT AND RETURN.

IDEAL PLACE FOR SCREENS ABOVE A FIREPLACE.

FLUID MOVEMENT AND SILENT THROUGH SENSORS START & STOP SLOWED DOWN.



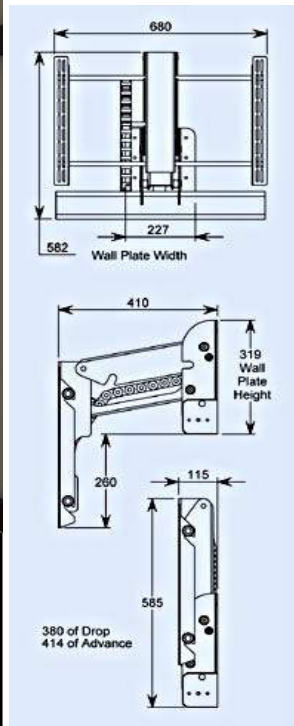
# TV MOVING



**MLW - MOTORISED STANDS FOR AUDIO/VIDEO MOVEMENT**



# TV MOVING - MLW



TV MOVING MLWI IS A LIFT FROM TV ELECTRIC WALL LCD-PLASMA-LED.

THE STAND DOES NOT NEED SPECIFIC NICHES OF OR RECESSED WALL.

PUSHING THE REMOTE CONTROL, THE MECHANISM ALLOWS TO A TV FLUSH WALL MOUNTED FORWARD AND DOWN.

## WATCH THE VIDEO

MINIMUM DEPTH (CLOSED)	115 MM
MAXIMUM DISTANCE FROM WALL	414 MM
STROKE	380 MM
MAX WEIGHT	50 KG
FOR TV	32"/50"
POWER	AC 220 VOLT
MOVEMENT	MOTORIZED
CONTROL OPTIONS	RS232/CONTACT CLOSURE/IR

TV MOVING MLWI HAS ELECTRONIC AUTOMATION SYSTEMS THROUGH INTERACTING WITH CONTACTS.

INFRARED REMOTE CONTROL EQUIPMENT FOR TILT AND RETURN.

IDEAL PLACE FOR SCREENS ABOVE A FIREPLACE.

FLUID MOVEMENT AND SILENT THROUGH SENSORS START & STOP SLOWED DOWN.





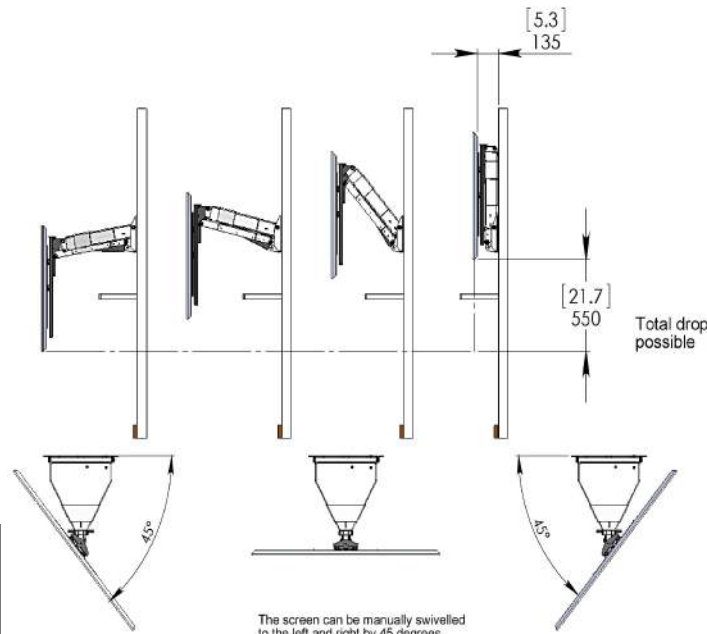
# TV MOVING



**MLW2 - MOTORISED STANDS FOR AUDIO/VIDEO MOVEMENT**



# TV MOVING - MLW2



The screen can be manually swivelled to the left and right by 45 degrees.

When the IN button is pressed on the remote control the screen will automatically return to the square position as it lifts upwards towards the wall.

## WATCH THE VIDEO

MINIMUM DEPTH (CLOSED)	135 MM
MAXIMUM DISTANCE FROM WALL	595 MM
STROKE	550 MM
MAX WEIGHT	50 KG
FOR TV	32"/ 50"
POWER	AC 220 VOLT
MOVEMENT	MOTORIZED + MANUAL
CONTROL OPTIONS	RS32/CONTACT CLOSURE/IR



TV MOVING MLW2 IS A LIFT FROM TV ELECTRIC WALL LCD-PLASMA-LED.

THE STAND DOES NOT NEED SPECIFIC NICHES OF OR RECESSED WALL. HOWEVER POSSIBLE WALL RECESSED OR BETTER CARE.

PUSHING THE REMOTE CONTROL, THE MECHANISM ALLOWS TO A TV FLUSH WALL MOUNTED FORWARD FORWARD AND DOWN. ONCE RELEASED AND 'CAN TURN THE TV TO MANUALLY 45 ° RIGHT THAT IS LEFT.

TV MOVING MLW2 HAS ELECTRONIC AUTOMATION SYSTEMS THROUGH INTERACTING WITH CONTACTS. INFRARED REMOTE CONTROL EQUIPMENT FOR ADVANCE, DESCENT AND RETURN.

IDEAL PLACE FOR SCREENS ABOVE A FIREPLACE.

FLUID MOVEMENT AND SILENT THROUGH SENSORS START & STOP SLOWED DOWN.



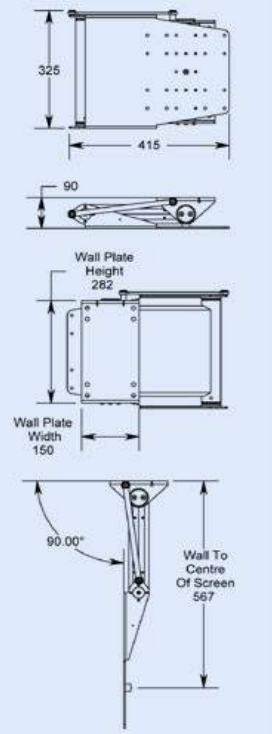
# TV MOVING



**MLWF - MOTORISED STANDS FOR AUDIO/VIDEO MOVEMENT**



## TV MOVING - MLWF



TV MOVING MLW2 IS A LIFT FROM TV ELECTRIC WALL LCD-PLASMA-LED.

THE STAND DOES NOT NEED SPECIFIC NICHES OF OR RECESSED WALL.

PUSHING THE REMOTE CONTROL, THE MECHANISM ALLOWS TO A TV FLUSH WALL MOUNTED TURN IN ONE DIRECTION (RIGHT OR LEFT) AND STORE THE CORNER OF IDEAL VISION.

### WATCH THE VIDEO

MINIMUM DEPTH (CLOSED)	90 MM
MAXIMUM DISTANCE FROM WALL	595 MM
MAX ROTATION	1 WAY (DX OR SX) = 90°
MAX WEIGHT	30 KG
FOR TV	26"/40"
POWER	AC 220 VOLT
MOVEMENT	MOTORIZED
CONTROL OPTIONS	RS32/CONTACT CLOSURE/IR

TV MOVING MLW2 HAS ELECTRONIC AUTOMATION SYSTEMS THROUGH INTERACTING WITH CONTACTS.

INFRARED REMOTE CONTROL EQUIPMENT FOR ROTATION AND RETURN.

FLUID MOVEMENT AND SILENT THROUGH SENSORS START & STOP SLOWED DOWN.



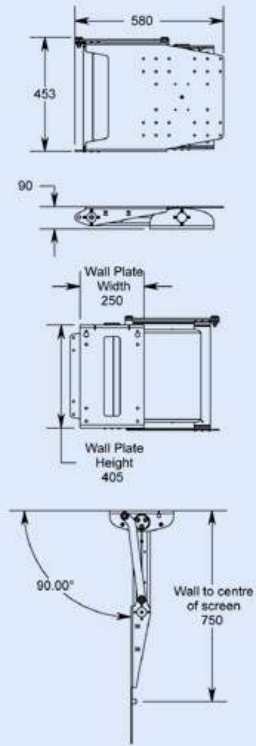
# TV MOVING



**MLWP - MOTORISED STANDS FOR AUDIO/VIDEO MOVEMENT**



## TV MOVING - MLWP



TV MOVING MLW2 IS A LIFT FROM TV ELECTRIC WALL LCD-PLASMA-LED.

THE STAND DOES NOT NEED SPECIFIC NICHES OF OR RECESSED WALL.

PUSHING THE REMOTE CONTROL, THE MECHANISM ALLOWS TO A TV FLUSH WALL MOUNTED TURN IN ONE DIRECTION (RIGHT OR LEFT) AND STORE THE CORNER OF IDEAL VISION.

### WATCH THE VIDEO

MINIMUM DEPTH (CLOSED)	90 MM
MAXIMUM DISTANCE FROM WALL	595 MM
MAX ROTATION	1 WAY (DX OR SX) = 90°
MAX WEIGHT	100 KG
FOR TV	32"/75"
POWER	AC 220 VOLT
MOVEMENT	MOTORIZED
CONTROL OPTIONS	RS32/CONTACT CLOSURE/IR

TV MOVING MLW2 HAS ELECTRONIC AUTOMATION SYSTEMS THROUGH INTERACTING WITH CONTACTS.

INFRARED REMOTE CONTROL EQUIPMENT FOR ROTATION AND RETURN.

FLUID MOVEMENT AND SILENT THROUGH SENSORS START & STOP SLOWED DOWN.



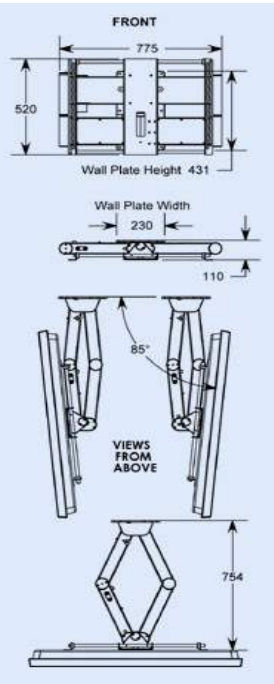
# TV MOVING



**MLWQ - MOTORISED STANDS FOR AUDIO/VIDEO MOVEMENT**



# TV MOVING - MLWQ



TV MOVING MLW2 IS A LIFT FROM TV ELECTRIC WALL LCD-PLASMA-LED.

THE STAND DOES NOT NEED SPECIFIC NICHES OF OR RECESSED WALL.

PUSHING THE REMOTE CONTROL, THE MECHANISM ALLOWS TO A TV FLUSH WALL MOUNTED TURN IN TWO DIRECTION (RIGHT AND LEFT) AND STORE THE CORNER OF IDEAL VISION.

## WATCH THE VIDEO

MINIMUM DEPTH (CLOSED)	130 MM
MAXIMUM DISTANCE FROM WALL	750 MM / 910 MM
MAX ROTATION	2 WAY = 60°/90°
MAX WEIGHT	45 KG / 80 KG
FOR TV	40"/80"
POWER	AC 220 VOLT
MOVEMENT	MOTORIZED
CONTROL OPTIONS	RS32/CONTACT CLOSURE/IR

TV MOVING MLW2 HAS ELECTRONIC AUTOMATION SYSTEMS THROUGH INTERACTING WITH CONTACTS.

INFRARED REMOTE CONTROL EQUIPMENT FOR ROTATION AND RETURN.

FLUID MOVEMENT AND SILENT THROUGH SENSORS START & STOP SLOWED DOWN.





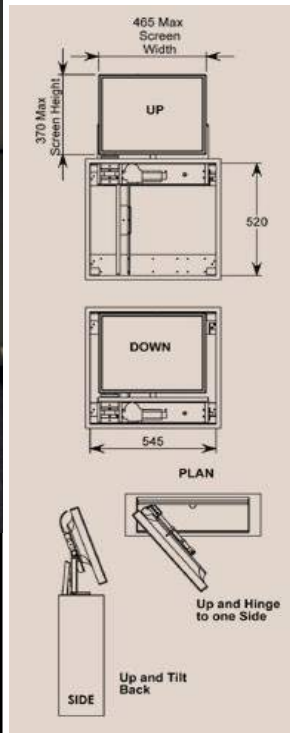
# TV MOVING



**MLUD - MOTORISED STANDS FOR AUDIO/VIDEO MOVEMENT**



## TV MOVING - MLUD



TV MOVING MLUD IS A LIFT FROM TV BUILT-IN ELECTRIC AND SCREEN MONITOR TFT.

THE STAND NEEDS OPENING OF A SUITABLE CONTAINER IN MOBILE OR OTHER ARCHITECTURAL STRUCTURE.

PUSHING THE REMOTE CONTROL, THE MECHANISM ALLOWS THE RISE OF THE SCREEN FROM MOBILE OR OTHER STRUCTURE OF ARCHITECTURAL DESIGNED. POSSIBILITY OF TILT AND ROTATION TWO-WAY MANUAL SCREEN.

### WATCH THE VIDEO

MAX HEIGHT SCREEN	360 MM
MAX WIDTH SCREEN	580 MM
MAX DEPTH SCREEN	65 MM
MAX WEIGHT	10 KG
FOR TV	12"/24"
POWER	AC 220 VOLT
MOVEMENT	MOTORIZED + MANUAL
CONTROL OPTION	RS232/CONTACT CLOSURE/IR

TV MOVING MLUD HAS ELECTRONIC AUTOMATION SYSTEMS THROUGH INTERACTING WITH CONTACTS.

INFRARED REMOTE CONTROL EQUIPMENT FOR GETTING ON AND OFF.

FLUID MOVEMENT AND SILENT THROUGH SENSORS START & STOP SLOWED DOWN.



# TV MOVING



**MLPL - MOTORISED STANDS FOR AUDIO/VIDEO MOVEMENT**



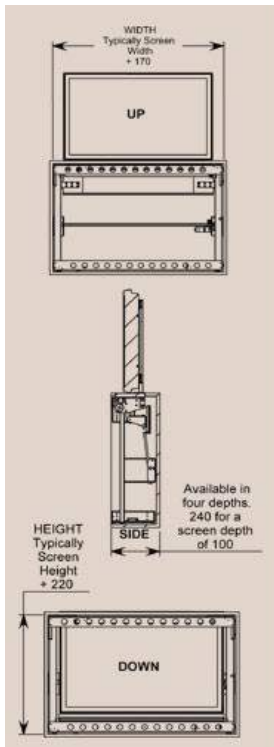
# TV MOVING - MLPL



TV MOVING MLPL 'A LIFT FROM TV BUILT-IN ELECTRIC LCD-PLASMA-LED.

THE STAND NEEDS OPENING OF A SUITABLE CONTAINER IN CABINET OR OTHER ARCHITECTURAL STRUCTURE.

PUSHING THE REMOTE CONTROL, THE MECHANISM ALLOWS THE OPENING OF THE DOOR, THE RISE OF TELEVISION AND ROTATION IN PREFERRED POSITION. TELEVISION IS PLACED ON A COMPONENT OF THE SAME TYPE OF COATING OF CABINET (OR OTHER STRUCTURE DESIGNED ARCHITECTURAL) FINISH AND CLOSE TO THE EDGE OF THE STRUCTURE ONCE THE TV AND 'IN POSITION OF VISION.



## WATCH THE VIDEO

MAX DEPTH SCREEN	110 MM
MAX WEIGHT FOR TV	40 KG
POWER	32"/60"
MOVEMENT	AC 220 VOLT
CONTROL OPTION	MOTORIZED
	RS232/CONTACT CLOSURE/IR

TV MOVING MLPL HAS ELECTRONIC AUTOMATION SYSTEMS THROUGH INTERACTING WITH CONTACTS.

INFRARED REMOTE CONTROL EQUIPMENT TO RAISE, LOWER AND ROTATION.

FLUID MOVEMENT AND SILENT THROUGH SENSORS START & STOP SLOWED DOWN.



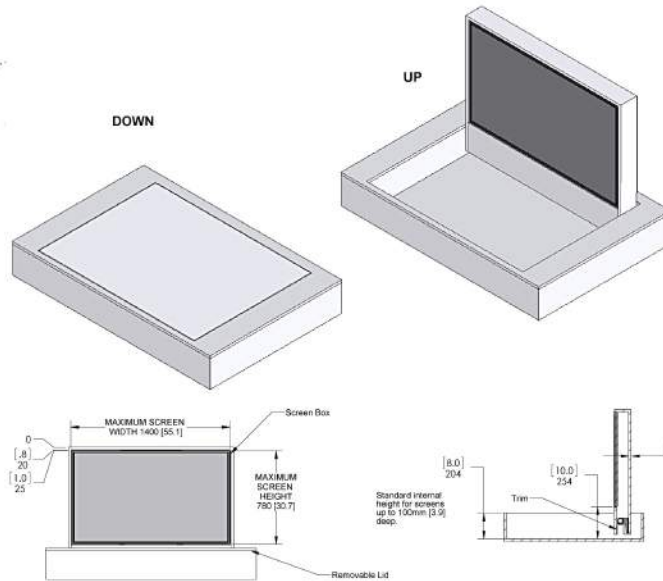
# TV MOVING



**MFU - MOTORISED STANDS FOR AUDIO/VIDEO MOVEMENT**



# TV MOVING - MFU



## WATCH THE VIDEO

TV MOVING MFU IS A LIFT FROM TV BUILT-IN ELECTRIC LCD-PLASMA-LED.

THE STAND NEEDS OPENING OF A SUITABLE CONTAINER IN CABINET OR OTHER ARCHITECTURAL STRUCTURE.

PUSHING THE REMOTE CONTROL, THE MECHANISM ALLOWS OUT THE TELEVISION FROM CABINET OR OTHER STRUCTURE OF ARCHITECTURAL DESIGNED.

MAX HEIGHT SCREEN	78 0 MM
MAX WIDTH SCREEN	1400 MM
MAX DEPTH SCREEN	100 MM
MAX WEIGHT FOR TV	30 KG 32"/65"
POWER	AC 220 VOLT
MOVEMENT	MOTORIZED
CONTROL OPTIONS	RS232/CONTACT CLOSURE/IR

TV MOVING MFU HAS ELECTRONIC AUTOMATION SYSTEMS THROUGH INTERACTING WITH CONTACTS.

VERSIONS 'S' YOU CAN THE ROTATION OF THE SCREEN.

INFRARED REMOTE CONTROL EQUIPMENT FOR OUTPUT (+ SPIN) AND RETURN.

FLUID MOVEMENT AND SILENT THROUGH SENSORS START & STOP SLOWED DOWN.



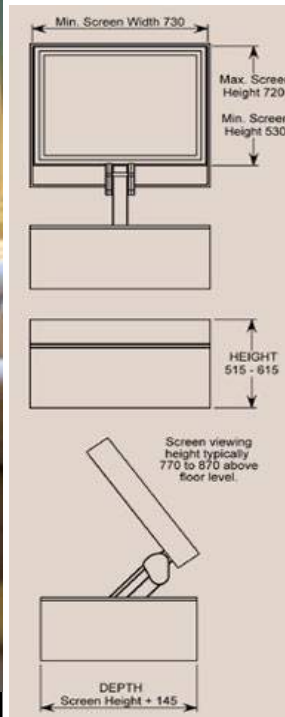
# TV MOVING



**MFU2 - MOTORISED STANDS FOR AUDIO/VIDEO MOVEMENT**



## TV MOVING - MFU2



TV MOVING MFU2 IS A LIFT FROM TV BUILT-IN ELECTRIC LCD-PLASMA-LED.

THE STAND NEEDS OPENING OF A SUITABLE CONTAINER IN CABINET OR OTHER ARCHITECTURAL STRUCTURE.

PUSHING THE REMOTE CONTROL, THE MECHANISM ALLOWS OUT THE TELEVISION FROM CABINET OR OTHER STRUCTURE OF ARCHITECTURAL DESIGNED.

### WATCH THE VIDEO

HEIGHT FROM FLOOR	515 MM
MAX HEIGHT SCREEN	720 MM
MAX WIDTH SCREEN	750 MM
MAX WEIGHT	45 KG
FOR TV	40"/55"
POWER	AC 220 VOLT
MOVEMENT	MOTORIZED
CONTROL OPTIONS	RS232/CONTACT CLOSURE/IR

TV MOVING MFU2 HAS ELECTRONIC AUTOMATION SYSTEMS THROUGH INTERACTING WITH CONTACTS.

VERSIONS 'S' YOU CAN THE ROTATION OF THE SCREEN.

INFRARED REMOTE CONTROL EQUIPMENT FOR OUTPUT (+ SPIN) AND RETURN.

FLUID MOVEMENT AND SILENT THROUGH SENSORS START & STOP SLOWED DOWN.





# TV MOVING



**MLU - MOTORISED STANDS FOR AUDIO/VIDEO MOVEMENT**



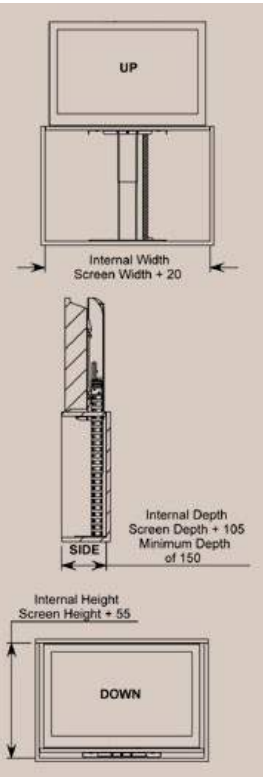
## TV MOVING - MLU



TV MOVING MLU IS A LIFT FROM TV BUILT-IN ELECTRIC LCD-PLASMA-LED.

THE STAND NEEDS OPENING OF A SUITABLE CONTAINER IN CABINET OR OTHER ARCHITECTURAL STRUCTURE.

PUSHING THE REMOTE CONTROL, THE MECHANISM ALLOWS OUT THE TELEVISION FROM CABINET OR OTHER STRUCTURE OF ARCHITECTURAL DESIGNED.



### WATCH THE VIDEO

MAX HEIGHT SCREEN	645/930 MM
MAX WEIGHT	50 KG
FOR TV	32"/65"
POWER	AC 220 VOLT
MOVEMENT	MOTORIZED
CONTROL OPTIONS	CONTACT CLOSURE/IR



TV MOVING MLU HAS ELECTRONIC AUTOMATION SYSTEMS THROUGH INTERACTING WITH CONTACTS.

VERSIONS 'S' YOU CAN THE ROTATION OF THE SCREEN.

INFRARED REMOTE CONTROL EQUIPMENT FOR OUTPUT (+ SPIN) AND RETURN.

FLUID MOVEMENT AND SILENT THROUGH SENSORS START & STOP SLOWED DOWN.



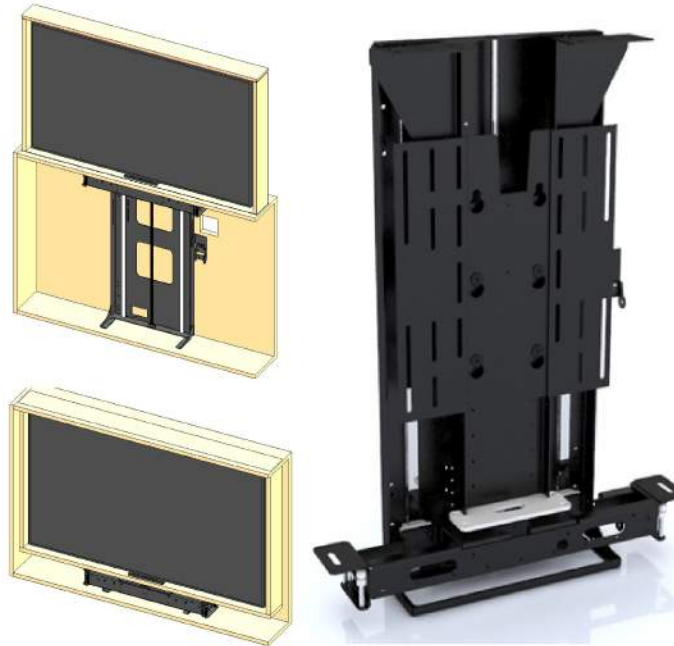
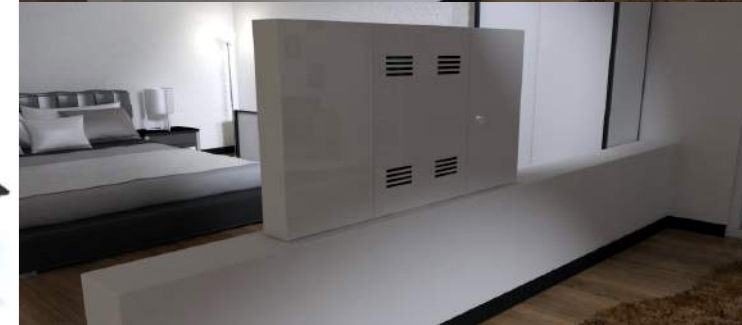
# TV MOVING



**MLUBE - MOTORISED STANDS FOR AUDIO/VIDEO MOVEMENT**



## TV MOVING - MLUBE



TV MOVING MLUBE IS A LIFT FROM TV BUILT-IN ELECTRIC LCD-PLASMA-LED.

THE STAND NEEDS OPENING OF A SUITABLE CONTAINER IN CABINET OR OTHER ARCHITECTURAL STRUCTURE.

PUSHING THE REMOTE CONTROL, THE MECHANISM ALLOWS THE CLIMB THE TELEVISION FROM MOBILE OR OTHER STRUCTURE OF ARCHITECTURAL DESIGNED. VERSIONS "S" ONCE WENT OUT COMPLETELY YOU CAN TURN THE SCREEN 360 °.

### WATCH THE VIDEO

MAX HEIGHT SCREEN	410/915 MM
MAX WEIGHT	50 KG
FOR TV	19"/65"
POWER	AC 220 VOLT
MOVEMENT	MOTORIZED
CONTROL OPTIONS	RS232/CONTACT CLOSURE/IR

TV MOVING MLUBE HAS ELECTRONIC AUTOMATION SYSTEMS THROUGH INTERACTING WITH CONTACTS.

MAY BE REQUIRED VERSION PANELED OR THE OPENING OF THE FLAP MOTOR-DRIVEN. ALL MODELS MLUBE MAY BE MADE WITH LIFT REVERSE (TOP TO BOTTOM)

INFRARED REMOTE CONTROL EQUIPMENT FOR UP AND DOWN, AND OPENING FLAP ROTATION.

FLUID MOVEMENT AND SILENT THROUGH SENSORS START & STOP SLOWED DOWN.



# TV MOVING



**MLUI - MOTORISED STANDS FOR AUDIO/VIDEO MOVEMENT**



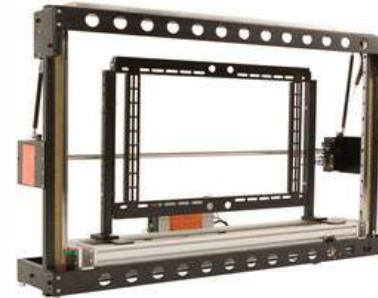
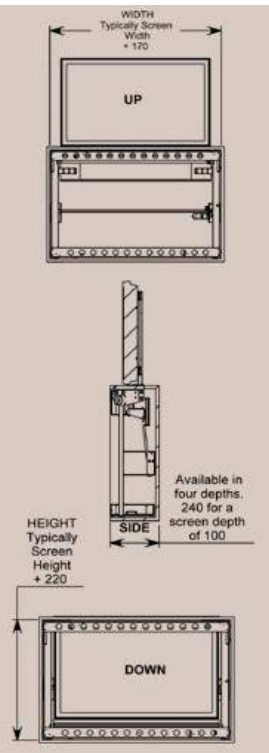
# TV MOVING - MLUI



TV MOVING MLUI IS A LIFT FROM TV BUILT-IN ELECTRIC LCD-PLASMA-LED.

THE STAND NEEDS OPENING OF A SUITABLE CONTAINER IN CABINET OR OTHER ARCHITECTURAL STRUCTURE.

PUSHING THE REMOTE CONTROL, THE MECHANISM ALLOWS THE OPENING OF THE FLAP AND THE RISE OF TELEVISION. TELEVISION IS PLACED ON A COMPONENT OF THE SAME TYPE OF COATING OF CABINET (OR OTHER STRUCTURE DESIGNED ARCHITECTURAL) FINISH AND CLOSE TO THE EDGE OF THE STRUCTURE ONCE THE TV IS IN POSITION OF VISION.



## WATCH THE VIDEO

MAX DEPTH SCREEN	130/205 MM
MAX WEIGHT	50/120 KG
FOR TV	DA 32" A 75"
POWER	AC 220 VOLT
MOVEMENT	MOTORIZED
CONTROL OPTIONS	RS232/CONTACT CLOSURE/IR

TV MOVING MLUI HAS ELECTRONIC AUTOMATION SYSTEMS THROUGH INTERACTING WITH CONTACTS. INFRARED REMOTE CONTROL EQUIPMENT FOR UP AND DOWN AND OPENING FLAP.

VERSION "S" ONCE WENT OUT COMPLETELY BY CABINET (OR OTHER STRUCTURE DESIGNED ARCHITECTURAL), YOU CAN TURN THE TELEVISION TO 180° IS RIGHT TO LEFT, ALLOWING VISION AT ANY POINT IN THE ROOM.

FLUID MOVEMENT AND SILENT THROUGH SENSORS START & STOP SLOWED DOWN.



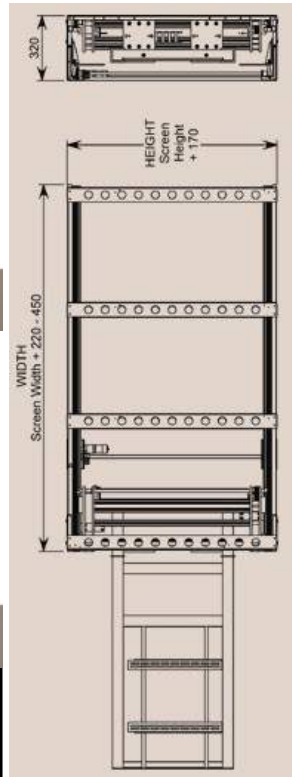
# TV MOVING



**MLO - MOTORISED STANDS FOR AUDIO/VIDEO MOVEMENT**



# TV MOVING - MLO



TV MOVING MLO 'A LIFT FROM TV  
BUILT-IN ELECTRIC LCD-PLASMA-LED.

THE STAND NEEDS  
OPENING OF A SUITABLE CONTAINER IN THE WALL, OR  
OTHER MOBILE ARCHITECTURAL STRUCTURE.

PUSHING THE REMOTE CONTROL THE HORIZONTAL  
OUTPUT MECHANISM ALLOWS THE TELEVISION FROM  
THE WALL, OR OTHER MOBILE ARCHITECTURAL  
STRUCTURE DESIGNED.

## WATCH THE VIDEO

MAX WEIGHT	45 KG
FOR TV	32"/65"
POWER	AC 220 VOLT
MOVEMENT	MORORIZED
CONTROL OPTIONS	RS232/CONTACT CLOSURE/IR

TV MOVING HL HAS ELECTRONIC AUTOMATION  
SYSTEMS THROUGH INTERACTING WITH CONTACTS.

MODELS "H" ONCE WENT OUT COMPLETELY AND  
DIRECTIONALLY SCREEN WITH HINGED MOVEMENT.

INFRARED REMOTE CONTROL EQUIPMENT  
TO EXIT AND RETURN.

FLUID MOVEMENT AND SILENT THROUGH  
SENSORS START & STOP SLOWED DOWN.





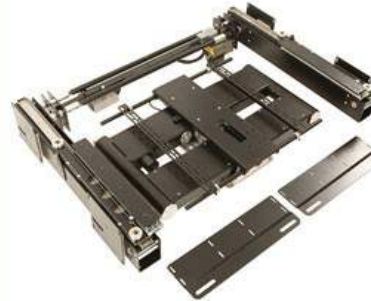
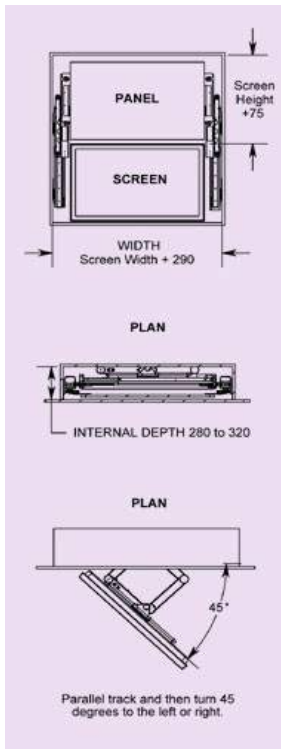
# TV MOVING



**MLSP - MOTORISED STANDS FOR AUDIO/VIDEO MOVEMENT**



# TV MOVING - MLSP



TV MOVING MLSP IS AN ELECTRIC LIFT FOR TELEVISION WHICH ALSO ALLOWS THE HANDLING OF-FOUR-PANEL MIRRORS.

THE STAND NEEDS OPENING OF A SUITABLE CONTAINER IN MOBILE OR OTHER ARCHITECTURAL STRUCTURE.

PUSHING THE REMOTE CONTROL, THE MECHANISM ALLOWS YOU TO MOVE IN ON THE PANEL THAT THE OCCULT TELEVISION. AFTER THE PANEL IS MADE IN THE SLIDE MOBILE (OR OTHER STRUCTURE DESIGNED ARCHITECTURAL) MADE TO ADVANCE THE TELEVISION AND WIRE MOBILE / STRUCTURE.

TV MOVING MLSP HAS ELECTRONIC AUTOMATION SYSTEMS THROUGH INTERACTING WITH CONTACTS.

INFRARED REMOTE CONTROL EQUIPMENT FOR SLIDE, FORWARD AND BACK.

VERSIONS "PLUS" THE MECHANISM ALLOWS EVEN ONCE JOINT WIRE MOBILE / WALL TO TURN THE TELEVISION IN TWO DIRECTIONS (RIGHT AND LEFT) AND STORE THE CORNER OF IDEAL VISION.

FLUID MOVEMENT AND SILENT THROUGH SENSORS START & STOP SLOWED DOWN.

## WATCH THE VIDEO

MAX WEIGHT PANEL	15 KG
MAX WEIGHT TOTAL	50/120 KG
FOR TV	37"/80"
POWER	AC 220 VOLT
MOVEMENT	MOTORIZED
CONTROL OPTIONS	RS232/CONTACT CLOSURE/IR



# TV MOVING



**MLPIC - MOTORISED STANDS FOR AUDIO/VIDEO MOVEMENT**



## TV MOVING - MLPIC



TV MOVING MLPIC IS A LIFT FOR ELECTRICAL PANELS-  
SQUARE-MIRRORS.

SOME VERSIONS  
NEED A WALL BUILT OR OTHER ARCHITECTURAL  
STRUCTURE.

PUSHING THE REMOTE CONTROL, THE MECHANISM  
ALLOWS THE SLIDING SIDE / BILATERAL / UP / DOWN  
PANEL.

### WATCH THE VIDEO

BUILT-IN DEPTH	70/80 MM
MAX WEIGHT	10/35 KG
STROKE	560/1010 MM
FOR TV	32"/60"
POWER	AC 220 VOLT
MOVEMENT	MOTORIZED
CONTROL OPTIONS	RS232/CONTACT CLOSURE/IR

TV MOVING MLPIC HAS ELECTRONIC AUTOMATION  
SYSTEMS THROUGH INTERACTING WITH CONTACTS.

INFRARED REMOTE CONTROL EQUIPMENT  
FOR UP / DOWN AND SCROLL.

FLUID MOVEMENT AND SILENT THROUGH  
SENSORS START & STOP SLOWED DOWN.



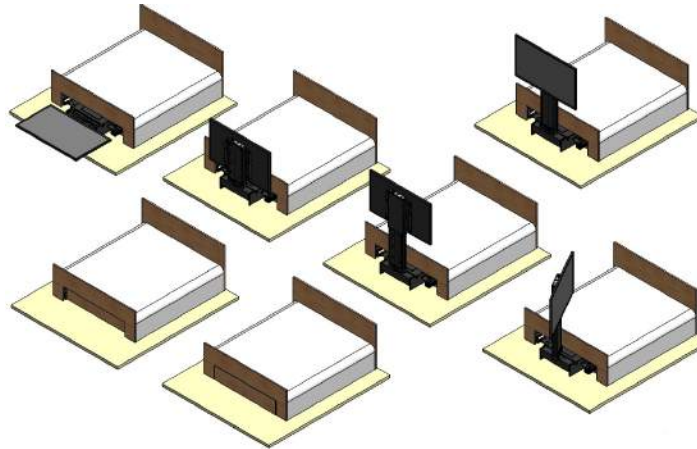
# TV MOVING



**MSF - MOTORISED STANDS FOR AUDIO/VIDEO MOVEMENT**



## TV MOVING - MSF



### WATCH THE VIDEO

MSF TV MOVING AND IS A LIFT FROM TV BUILT-IN ELECTRIC LCD-PLASMA-LED.

THE STAND NEEDS OPENING OF A SUITABLE CONTAINER IN MOBILE OR OTHER ARCHITECTURAL STRUCTURE.

PUSHING THE REMOTE CONTROL, THE MECHANISM ALLOWS THE NEXT EXIT AND HORIZONTAL VERTICAL POSITIONING THE TELEVISION (HINGED MOVEMENT).

MAX HEIGHT SCREEN	730 MM
MAX WIDTH SCREEN	1250 MM
MAX DEPTH SCREEN	60 MM
WIDTH (CLOSE)	1420 MM
HEIGHT (CLOSE)	240 MM
HEIGHT (OPEN)	1480 MM
MAX WEIGHT	35 KG
FOR TV	32"/60"
FOR TV	AC 220 VOLT
MOVEMENT	MOTORIZED
CONTROL OPTIONS	RS232/CONTACT CLOSURE/IR

MSF TV MOVING HAS ELECTRONIC AUTOMATION SYSTEMS THROUGH INTERACTING WITH CONTACTS. INFRARED REMOTE CONTROL EQUIPMENT FOR SLIDE AND UP / DOWN.

VERSIONS "S" ONCE IN JOINT POSITION, AND 'CAN TURN THE TELEVISION TO 180 IS RIGHT TO LEFT, ALLOWING VISION AT ANY POINT IN THE ROOM.

FLUID MOVEMENT AND SILENT THROUGH SENSORS START & STOP SLOWED DOWN.



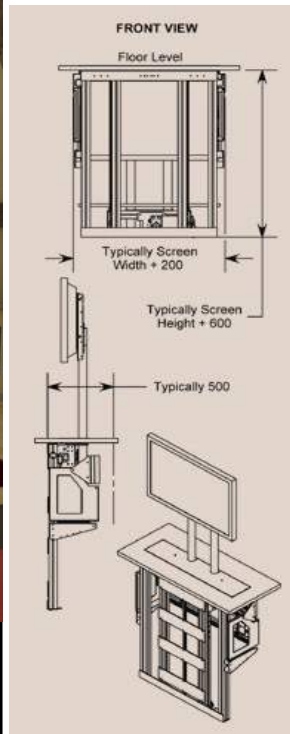
# TV MOVING



**MLP - MOTORISED STANDS FOR AUDIO/VIDEO MOVEMENT**



# TV MOVING - MLP



TV MOVING MLP IS A LIFT FROM TV BUILT-IN ELECTRIC LCD-PLASMA-LED.

THE STAND NEEDS OPENING OF A SUITABLE CONTAINER UNDER FLOOR.

PUSHING THE REMOTE CONTROL, THE MECHANISM ALLOWS THE OPENING OF THE FLAP WALK AND THE RISE OF TELEVISION. TELEVISION IS PLACED ON A COMPONENT OF THE SAME TYPE OF FLOOR FINISH AND CLOSE TO THE EDGE OF THE STRUCTURE ONCE THE TV AND 'IN POSITION OF VISION.

## WATCH THE VIDEO

MAX DEPTH SCREEN	160 MM
MAX WEIGHT	100 KG
FOR TV	32"/75"
POWER	AC 220 VOLT
MOVEMENT	MOTORIZED
CONTROL OPTIONS	RS232/CONTACT CLOSURE/IR

TV MOVING MLP HAS ELECTRONIC AUTOMATION SYSTEMS THROUGH INTERACTING WITH CONTACTS. INFRARED REMOTE CONTROL EQUIPMENT FOR UP AND DOWN AND OPENING FLAP.

VERSIONS "S" ONCE WENT OUT COMPLETELY FROM THE FLOOR, AND 'CAN TURN THE TELEVISION TO 180 IS RIGHT TO LEFT, ALLOWING VISION AT ANY POINT IN THE ROOM.

FLUID MOVEMENT AND SILENT THROUGH SENSORS START & STOP SLOWED DOWN.



# TV MOVING

*Motorised stands for audio/video movement*



arredi fiorelli